



SPL (HONG KONG) LIMITED

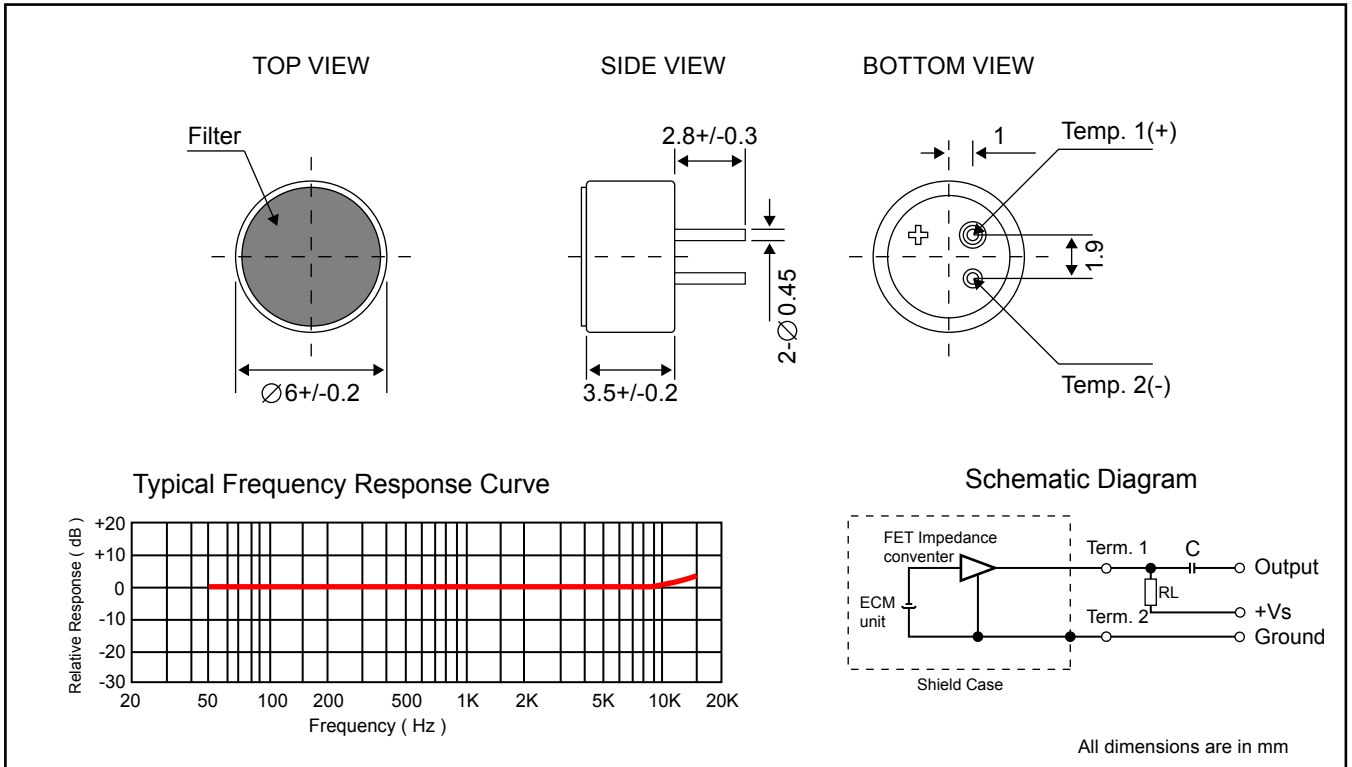
香港九龍觀塘創業街25號創富中心25樓2507室
Room 2507, 25/F, Prosperity Centre, 25 Chong Yip Street, Kwun Tong, Kowloon, HK.
Tel: 852-2342 6857 / 2342 6867 Fax: 852-2342 6847 Email: sales@spl-hk.com.hk
Website: www.buzzer.com.hk ; www.transducer.com.hk ; www.connector.com.hk



Electret Condenser Microphone XCM-6035P series

DIMENSIONS

Date : 09 Apr.,2014



Ref no.: CT176AS-R



Sensitivity : - 35 +/- 4 dB

Vs : 2.0V

RL : 2.2K Ω

ELECTRICAL SPECIFICATIONS

Model No.	XCM6035-2022-354PR
Sensitivity [0dB = 1V/Pa, 1KHz]	See above
Impedance	Low Impedance
Directivity	Omnidirectional
Frequency	50 ~ 16000Hz
Voltage range	1.1 ~ 10V
Standard operation voltage	2.0V
Current consumption	Max. 0.5mA
Sensitivity reduction	Within -3dB at 1.5V
S/N ratio	More than 62dB